

# ASSEMBLY INDICATIONS

Wheel spacer R6

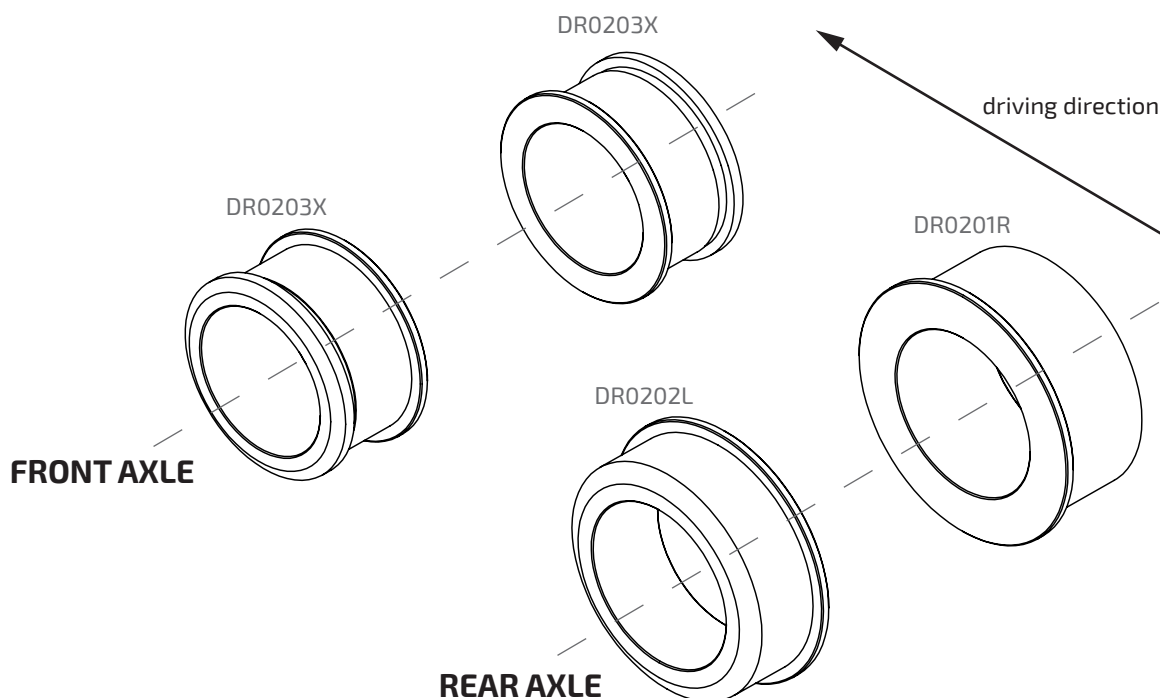
## DR02A






**Racing use only**  
Assembly reserved to  
qualified staff

**Solo uso agonistico**  
Montaggio riservato al  
personale qualificato

These outer bushing have a special lip that keeps them attached to the wheel and prevents them from falling during wheel replacement.



-  Threadlock low strength | Frenafilletti debole
-  Threadlock medium strength | Frenafilletti medio
-  Selflocking nut | Dado autobloccante

Pursuant to law, we reserve the ownership of this drawing with prohibition to copy without our authorizations.

1

# ASSEMBLY INDICATIONS

Wheel spacer R3

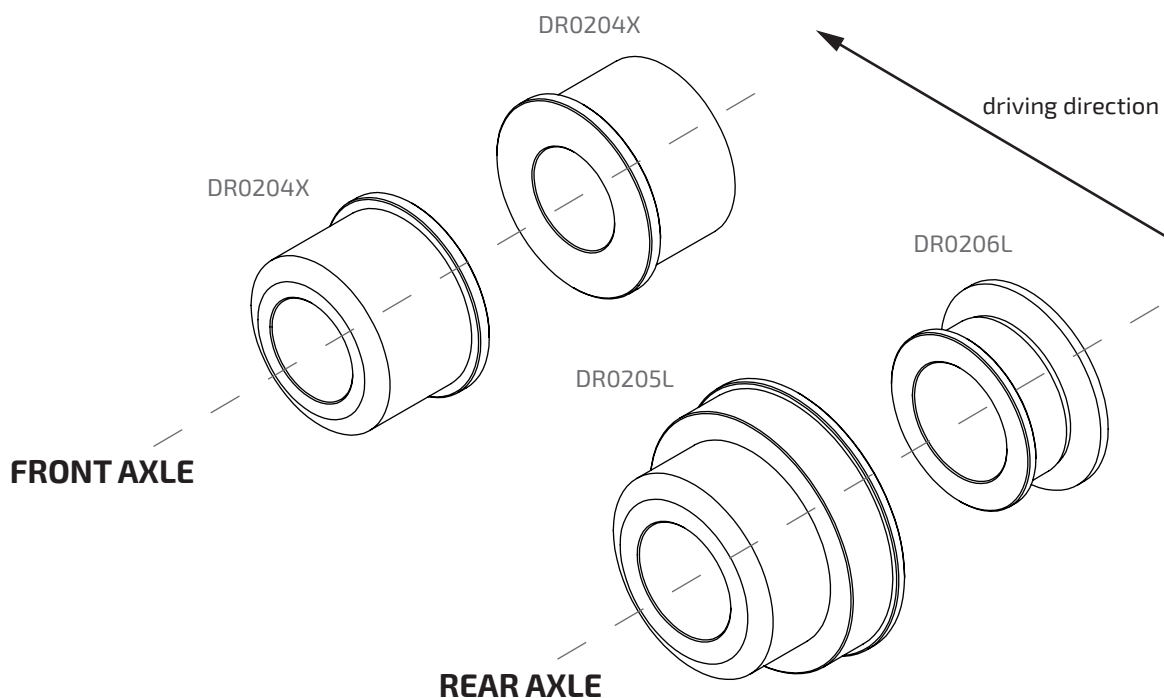
## DR02B






**Racing use only**  
Assembly reserved to  
qualified staff

**Solo uso agonistico**  
Montaggio riservato al  
personale qualificato

These outer bushing have a special lip that keeps them attached to the wheel and prevents them from falling during wheel replacement.



-  Threadlock low strength | Frenafilletti debole
-  Threadlock medium strength | Frenafilletti medio
-  Selflocking nut | Dado autobloccante

Pursuant to law, we reserve the ownership of this drawing with prohibition to copy without our authorizations.

2

# ASSEMBLY INDICATIONS

Wheel spacer R1

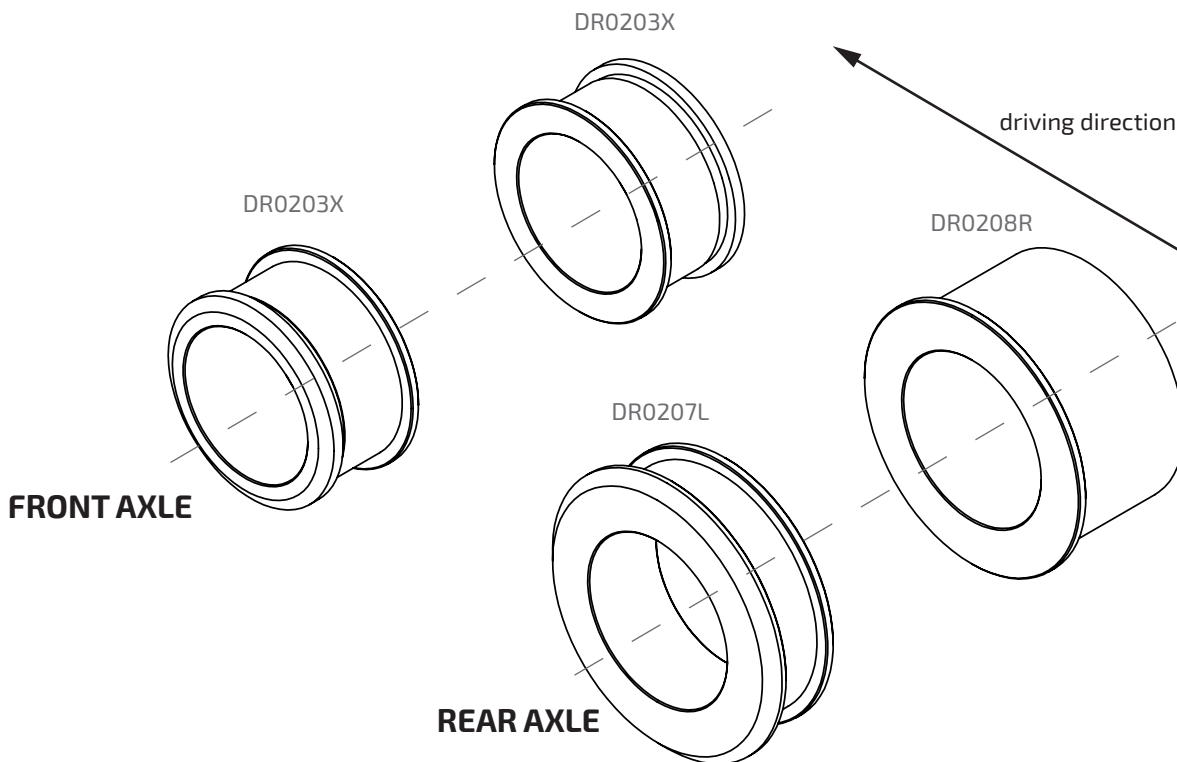
## DR02C






**Racing use only**  
Assembly reserved to  
qualified staff

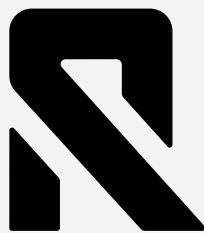
**Solo uso agonistico**  
Montaggio riservato al  
personale qualificato

These outer bushing have a special lip that keeps them attached to the wheel and prevents them from falling during wheel replacement.



-  Threadlock low strength | Frenafilletti debole
-  Threadlock medium strength | Frenafilletti medio
-  Selflocking nut | Dado autobloccante

Pursuant to law, we reserve the ownership of this drawing with prohibition to copy without our authorizations. 3



## Garanzia Reckless

### Reckless Warranty

This warranty is limited to the replacement of parts recognized as faulty by **Reckless Racing Lab**. For no reasons should our products be mounted on vehicles where compatibility is not indicated.

The guarantee is not recognized in the event of:

- Modification or tampering of the product.
- Incorrect assembly or use.
- Replacement of some parts of the kit with others not by **Reckless Racing Lab**.
- Use in abnormal conditions of the product.

Images, data and technical indications contained in this manual are not binding. **Reckless Racing Lab** reserves the right to make any type of change for updates or improvements, even without notice.

La garanzia si limita alla sostituzione delle parti riconosciute difettose da **Reckless Racing Lab**. Per nessun motivo si deve montare un prodotto di nostra fabbricazione su veicoli ove non è indicata la compatibilità.

La garanzia non viene riconosciuta in caso di:

- Modifica o manomissione del prodotto.
- Montaggio o utilizzo non corretti.
- Sostituzione di alcune parti del kit con altre non di **Reckless Racing Lab**.
- Utilizzo in condizioni anomale del prodotto.

Immagini, dati e indicazioni tecniche contenuti in questo manuale non sono impegnative. **Reckless Racing Lab** si riserva di apportare per aggiornamenti o migliorie qualsiasi tipo di variazione anche senza preavviso.